

# RXTXD Receiver-Transmitter Unit Versatile Encoder Interface



# Principle Engineering



## Features

- DIN Rail Mount.
- Level Changes from Vcc to 5V.
- Signal Conditioner, or Repeater for Distance Transmission.
- 2 or 3 Way Splitter/Level Changer.
- Encoder Tester/Verifier.

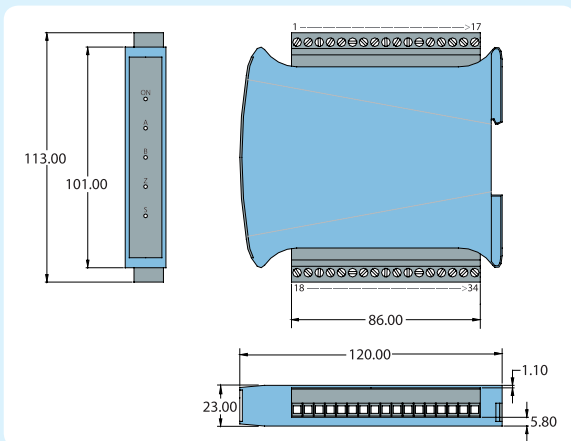
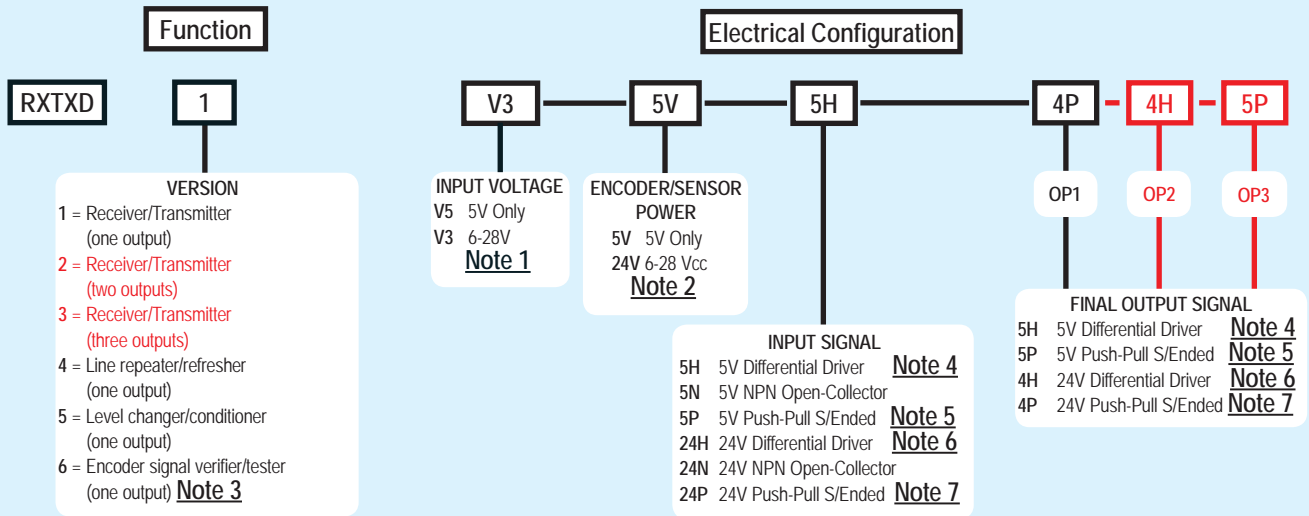
This lightweight DIN rail mountable unit, Line Driver and Line Receiver, comes in a stylish green PC/ABS self-extinguishing material blend. Configurable as a level changer, line repeater, splitter or encoder tester. The RXTXD will accept TTL, RS422, RS485, PP, NPN, NPN OC, or, PNP encoder inputs at 5V, or HTL, PP, NPN, NPN OC & PNP at 6-28V. It will provide up to 3 outputs in any combination of TTL, RS422, RS485, PP, NPN or PNP, at 5V, or, HTL, PP, NPN or PNP, at 6-28V. A series of LEDs on the front panel indicates power and signal presence. Connections are made via the easily accessible screw terminals as standard. This device may be used as both as Line Driver and Line Receiver.

## Specifications

Input Voltage ..... 6V to 28V Max  
 Current Consumption ..... 250 mA Typical  
 Repeater Output Voltage ..... 5V or Vcc  
 Frequency Response ..... Up to 800 KHz  
 Weight ..... 250g  
 Enclosure ..... PC/ABS, IP20  
 Terminal ..... Screw Type 30/12 AWG

## RXTX Ordering Guide

Red type indicates price adder options. Not all configuration combinations may be available. Contact Customer Service for details.



### NOTES:

- 1 28V Maximum Voltage.
- 2 Encoder/Sensor and output signal voltages are limited to the input voltage supplied.
- 3 To be used in series with encoder.
- 4 TTL, RS422 & RS485 Compatible.
- 5 TTL, NPN (Sink), PNP (Source), PP.
- 6 HTL Compatible
- 7 NPN (Sink), PNP (Source), PP